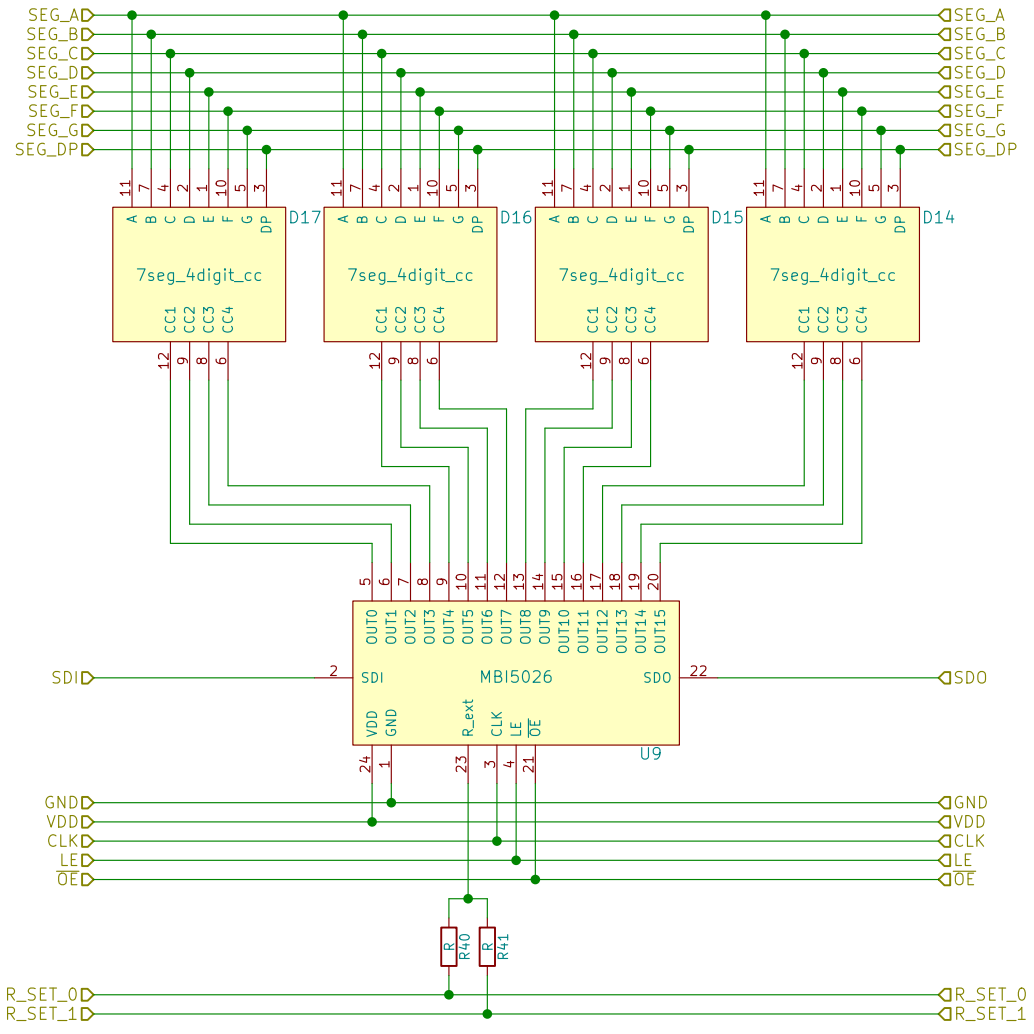


Single multiplexing unit

4 displays, 1 driver

Sheet: /mux_mod_right/		Date:	
File: mux_module.sch		Rev:	
Size: A4	KiCad E.D.A. kicad 4.0.4-1.fc24-product		Id: 2/3



Single multiplexing unit

4 displays, 1 driver

Sheet: /mux_mod_left/		Date:	
File: mux_module.sch		Rev:	
Size: A4	KiCad E.D.A. kicad 4.0.4-1.fc24-product		Id: 3/3