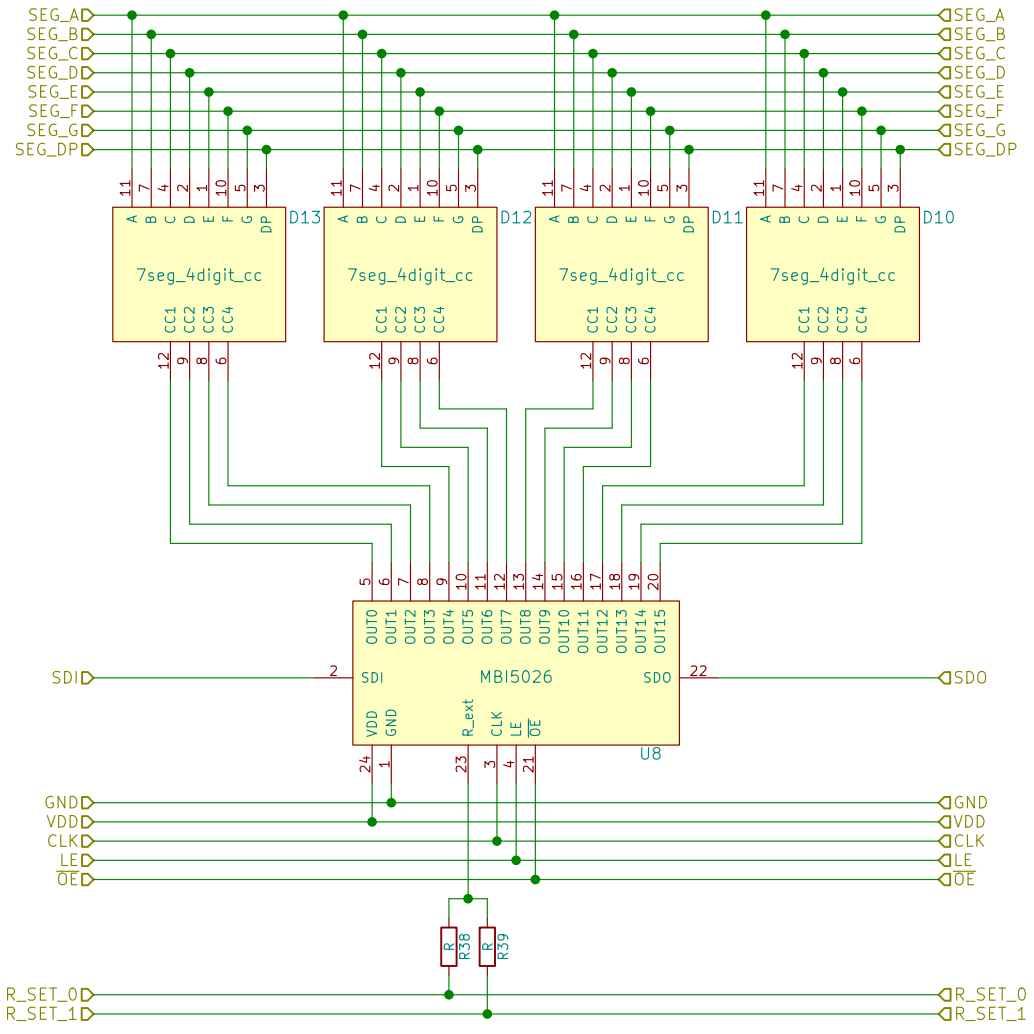


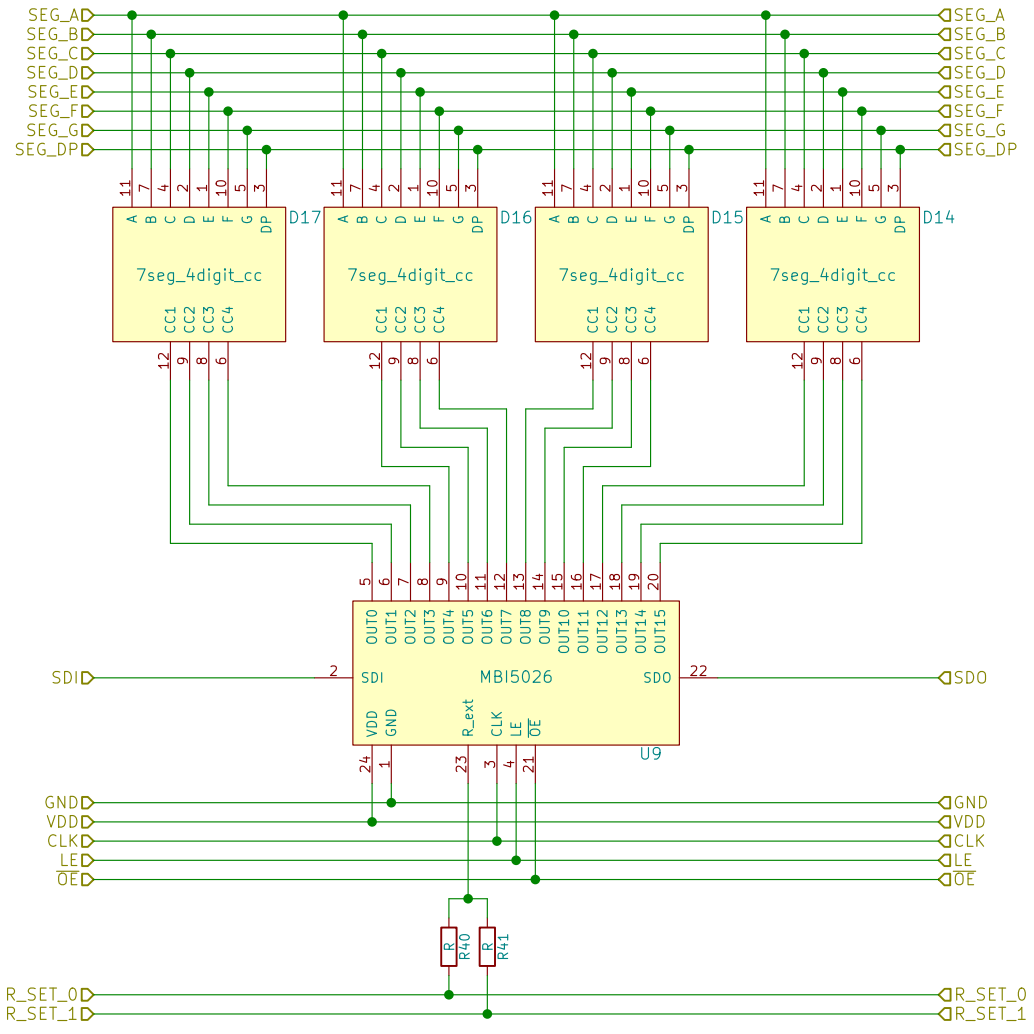
# Chibi 2x4x(4x7)seg controller



# Single multiplexing unit

## 4 displays, 1 driver

|  |       |         |
|--|-------|---------|
| Sheet: /mux_mod_right/<br>File: mux_module.sch |       | Rev:    |
| Size: A4                                       | Date: | Id: 2/3 |
| KiCad E.D.A. kicad 4.0.6                       |       |         |



# Single multiplexing unit

## 4 displays, 1 driver

|                       |                          |         |  |
|-----------------------|--------------------------|---------|--|
| Sheet: /mux_mod_left/ |                          | Date:   |  |
| File: mux_module.sch  |                          | Rev:    |  |
| Size: A4              | KiCad E.D.A. kicad 4.0.6 | Id: 3/3 |  |